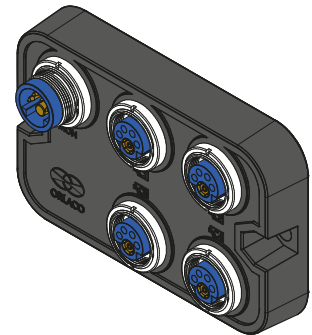
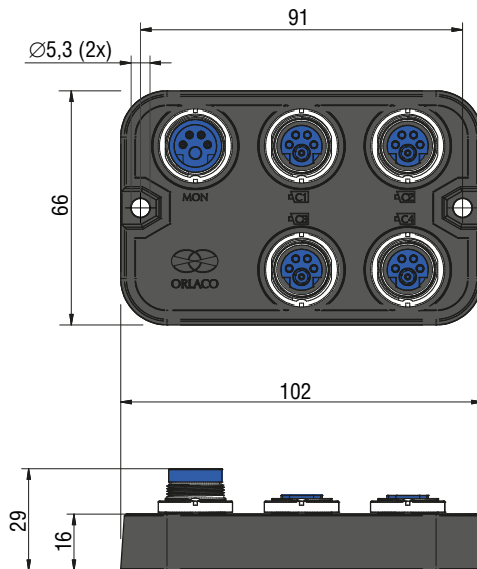


Vision is
our mission®

Product Data



Dimensions



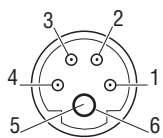
Switcher DigiCoax 4 channel

Article number	Description
0404240	0404240
Description	Inputs and power supply for at the maximum of 4 DigiCoax HMOS cameras, output for monitor.
Supply voltage range	8V/DC-32V/DC.
Power input	Only powered by Orlaco Monitor HLED.
Housing	Plastic material (Cyclopol) color black.
Protection	IP67, IP69K compliant.
Weight	0,19kg.
Operating temperature	-40°C to +85°C.
Communication	The switch command used by the switcher and the HLED monitor follows Sony's VISCA protocol. Switch commands are defined as follows: switch_channel_command: = 0x81 0x01 0x40 0x01 <switch_channel> 0xff. switch_channel: = 0x01 0x02 0x03 0x04.

Quality & environment **Certification**
Compliant with RoHS and REACH.

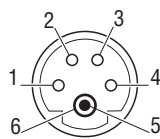
Electrical connection

Front side sockets



Front side male 4p socket

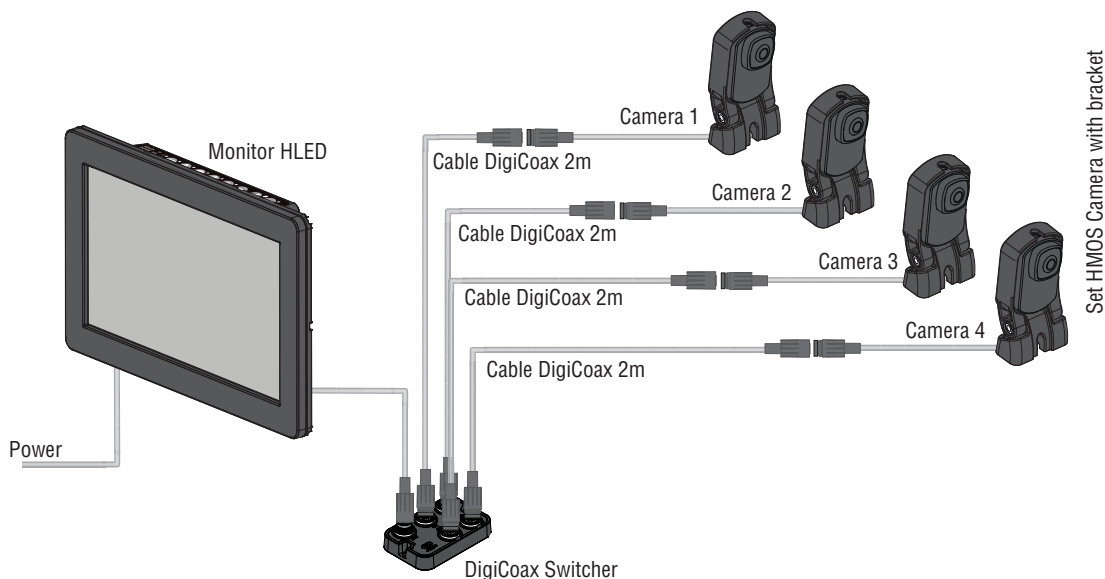
- 1 = Black = 0V
 - 2 = Red = Power
 - 3 = Yellow = IR-LED 0V
 - 4 = Grey = IR-LED Power
 - 5 = Coax core = Video signal
 - 6 = Coax screen = Video GND
- Overall shielding connected to connector housing.



Front side female 4p socket

Application

Example of application of a switcher in a typical system (with Orlaco Monitor 10' HLED)



WIEGEL

Transport Equipment | Stokvis Group

All data subject to change without notice. All dimensions are for commercial purpose only.

The camera/display systems from Orlaco comply with the latest CE, ADR, EMC and mirror-directive regulations, where applicable.

All products are manufactured in accordance with the ISO 9001 quality management system, ISO/TS 16949 quality automotive, ISO 14001 environmental management systems and all Ex products with the IECEx scheme and ATEX directives, where applicable.